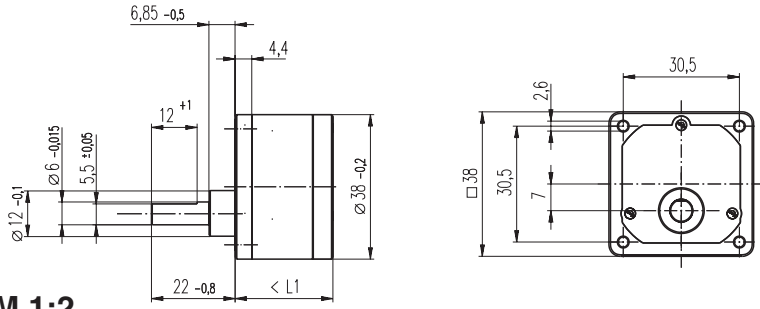


Spur Gearhead GS 38 $\varnothing 38$ mm, 0.1 - 0.6 Nm



M 1:2

- Stock program
- Standard program
- Special program (on request!)

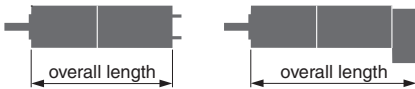
Order Number

110451	110452	110453	110454	110455	110456	110457	110458	110459
--------	--------	--------	--------	--------	--------	--------	--------	--------

Gearhead Data		110451	110452	110453	110454	110455	110456	110457	110458	110459
1	Reduction	6 : 1	10 : 1	18 : 1	30 : 1	60 : 1	100 : 1	200 : 1	500 : 1	900 : 1
2	Reduction absolute	6	10	18	30	60	100	200	500	900
3	Number of stages	2	2	3	3	4	4	5	6	6
4	Max. continuous torque at gear output	Nm	0.1	0.1	0.2	0.2	0.3	0.6	0.6	0.6
5	Intermittently permissible torque at gear output	Nm	0.3	0.3	0.6	0.6	0.9	1.8	1.8	1.8
6	Sense of rotation, drive to output		=	=	≠	≠	=	≠	=	=
7	Max. efficiency	%	81	81	73	73	66	66	59	53
8	Weight	g	55	55	60	60	65	65	70	75
9	Gearhead length L1	mm	20.6	20.6	23.1	23.1	25.6	25.6	28.1	30.6

Technical Data

Spur Gearhead	straight teeth
Output shaft	stainless steel
Bearing at output	sleeve bearings
Radial play, 5 mm from flange	max. 0.1 mm
Axial play	0.03 - 0.2 mm
Max. perm. radial load, 5 mm from flange	50 N
Max. permissible axial load	30 N
Max. permissible force for press fits	500 N
Average backlash no load	2°
Backlash at nominal torque	3°
Recommended input speed	< 5000 rpm
Recommended temperature range	-5 ... +80°C



Combination:

+ Motor	Page	+ Tacho / Encoder / Brake	Page	Overall length [mm] = Motor length + gearhead length + (tacho / encoder / brakes) + assembly parts								
F 2140, 4 W	91			64.7	64.7	67.2	67.2	69.7	69.7	72.2	74.7	74.7
F 2140, 6 W	92			68.7	68.7	71.2	71.2	73.7	73.7	76.2	78.7	78.7
F 2140, 6 W	93			67.7	67.7	70.2	70.2	72.7	72.7	75.2	77.7	77.7
F 2140, 6 W	93	Digital Encoder 22	215	86.2	86.2	88.7	88.7	91.2	91.2	93.7	96.2	96.2
A-max 26	113-120			65.4	65.4	67.9	67.9	70.4	70.4	72.9	75.4	75.4
A-max 26	113-119	Digital Magnetic Encoder 13	223	72.5	72.5	75.0	75.0	77.5	77.5	80.0	82.5	82.5
A-max 26	114-120	MR Encoder	212	74.2	74.2	76.7	76.7	79.2	79.2	81.7	84.2	84.2
A-max 26	114-120	Digital Encoder 22	215	79.8	79.8	82.3	82.3	84.8	84.8	87.3	89.8	89.8
A-max 26	114-120	Digital Encoder HED_ 55_	217/219	84.2	84.2	86.7	86.7	89.2	89.2	91.7	94.2	94.2
A-max 32	121/123			83.6	83.6	86.1	86.1	88.6	88.6	91.1	93.6	93.6
A-max 32	122/124			82.2	82.2	84.7	84.7	87.2	87.2	89.7	92.2	92.2
A-max 32	122/124	MR Encoder	213	93.4	93.4	95.9	95.9	98.4	98.4	100.9	103.4	103.4
A-max 32	122/124	Digital Encoder HED_ 55_	217/219	103.0	103.0	105.5	105.5	108.0	108.0	110.5	113.0	113.0
RE-max 21	135/136			49.6	49.6	52.1	52.1	54.6	54.6	57.1	59.6	59.6
RE-max 21	136	MR Encoder	210/211	54.6	54.6	57.1	57.1	59.6	59.6	62.1	64.6	64.6
RE-max 21	137/138			52.2	52.2	54.7	54.7	57.2	57.2	59.7	62.2	62.2
RE-max 21	138	MR Encoder	210/211	56.4	56.4	58.9	58.9	61.4	61.4	63.9	66.4	66.4
RE-max 24	139-142			52.6	52.6	55.1	55.1	57.6	57.6	60.1	62.6	62.6
RE-max 24	140/142	MR Encoder	210/211	57.5	57.5	60.0	60.0	62.5	62.5	65.0	67.5	67.5